



Antenna

Parabolic w/ Radome 2-ft 4.94-5.875 GHz 29 dB

AT A GLANCE

PTP or Remote terminal
 Dual polarized v&h;
 Includes antenna mounting hardware

Radio requires 3K-LW-MNT-SS bracket (order separately)

Includes 2x 420 mm (16 in) RF jumper cable

Fits 45-115 mm (1.75-4.5 in) mast

ORDERING CODE
 APD-DB-05-2ft-RAD-01

ELECTRICAL

Cross Polarization	>30 dB
F/B	>38 dB
Gain	28.5 to 29.5 dBi
HP Azimuth Beamwidth	6.2 deg
HP Elevation Beamwidth	6.2 deg
Impedance	50 Ohm
Input Power	10 W
Isolation	>30 dB
Lightning Protection	DC Gnd
Polarization	Dual Linear V and H
VSWR	1.5:1

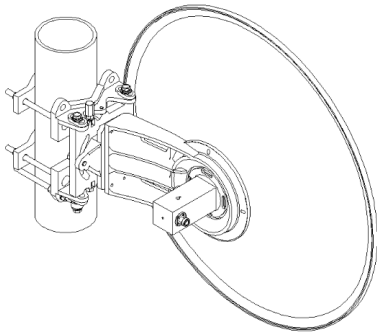
MECHANICAL

Antenna Termination	2x N-(f)
Antenna Type	Parabolic with Radome
Bracket	Included
Integrated GPS	No
Mast Size	50.8 to 115 mm (2 to 4.5 in)
Mechanical Downtilt	Az +/- 10 deg; El +/- 30 deg
Product Dimensions	277 x 641 dia mm (10.9 x 25.2 in)
Radio Direct Mount	No
Weight	11.7 kg (26 lbs)

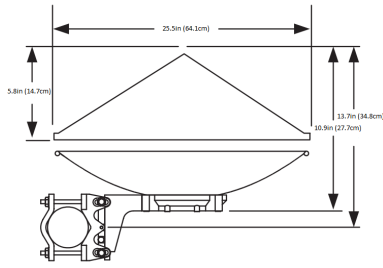
ENVIRONMENTAL

Ingress Protection	IP65
Operating Temperature	-40 to +70 C (-40 to +158 F)
Torque	263 Nm (194 ft-lbs)
Wind Load Front Thrust	543 N (122 lbs)
Wind Load Side Thrust	107 N (24 lbs)
Wind Load Speed	201 km/h (125 mph)
Wind Speed (Survival)	201 km/h (125 mph)

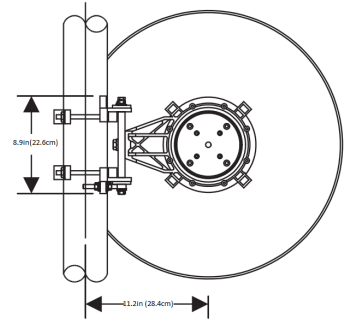
Front



Side



Rear



REDLINE VIRTUAL FIBER

Redline Virtual Fiber is your smart alternative to deliver IP connectivity whenever fiber-like performance is required and you need to deploy rapidly, where fiber is not available, or fiber is impractical. With simple setup and connection, scalable performance options, superior physical security and reliability, Redline Virtual Fiber provides flexibility not available with fiber.

REDLINE PROFESSIONAL SERVICES

Redline Professional Services cover the entire spectrum of complex tasks to design, build, optimize, and manage private wireless broadband networks. From product training and cell planning to complete turnkey solutions, let Redline and their global partners help you realize and manage a world class wireless network. Redline is widely recognized as having one of best customer support programs in the wireless industry for delivering responsive customer and solution support everywhere Redline's products are deployed.

COMPLIANCE



ABOUT REDLINE COMMUNICATIONS

Redline Communications (www.rdlcom.com) is the innovator of Virtual Fiber, a rugged wireless broadband solution used to cost-effectively deploy and extend secure networks, enable machine-to-machine (M2M) applications, connect digital oilfields and smart grids, facilitate and enhance public safety networks, and bring Internet access wherever and whenever it's needed - regardless of terrain or remote location. For more than a decade Redline has delivered powerful, versatile and reliable wireless systems to governments, militaries, oil and gas companies and telecom service providers through its global network of certified partners.

CANADA 302 Town Centre Blvd., Toronto, Ontario
USA 185 SW 7th St., Office 1817, Miami, Florida
+1.905.479.8344 | email info@rdlcom.com | toll free +1.866.633.66699

2014 Redline Communications Inc. All rights reserved.
The symbols R and TM designate trademarks of Redline Communications or identified third parties.
All other logos and product names are the trademarks of their respective owners, errors and omissions excepted.

*In Redline's continuing effort to improve performance, specifications are subject to change without notice.

redline
communications